

MACHINES AND DEVICES

Beach Wagner

Engineering Consultants

Your particular requirements ...

Lifting, moving, rotating, stretching, bending, forming, crushing, spreading, distributing, marshalling, stacking, sliding, crushing, tearing, ripping, opening and closing, folding

... coupled with our expertise in the engineering disciplines ...

fatigue, impact, stress analysis, stress concentration, heat transfer, kinetics, turbulence, wear, hydrodynamics, buckling, fracture mechanics, corrosion, welding, bolted joints, torsion, boolean algebra, hydraulic and pneumatic circuit design

... subject to stringent design requirements ...

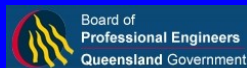
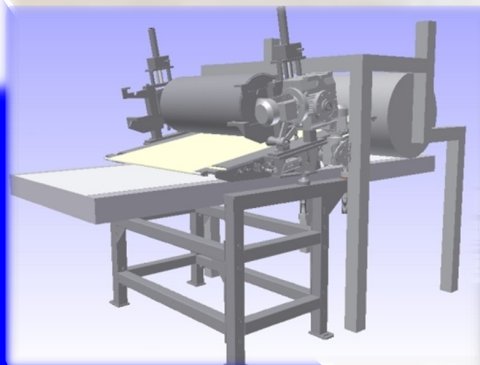
simplicity, function and form, safety, reliability, strength, durability, maintainability, compactness, light weight, through visibility, manufacture economy, fast assembly and disassembly, easy cleaning, high production rates

... and utilizing a dizzying array of components ...

bearings, sprockets, levers, hinges, gears, shafts, linear and rotary actuators, belts, chains, cam followers, fulcrums, impellers, locknuts, power screws, o-rings, pinions, races, rollers, keyways, yokes, friction brakes, pulleys, dog clutches, chassis, pressure vessels, die springs, fluid couplings, belleville washers, cables, latches, cranks, hubs, spokes, wormwheels

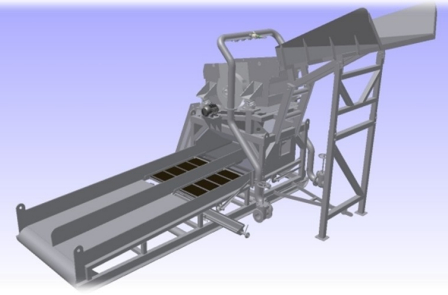
... results in a machine or device that precisely serves your needs.

See more at www.beachwagner.com.au



Engineering Your Materials Handling Solutions

MACHINES AND DEVICES



Sample Designed Machines and Devices

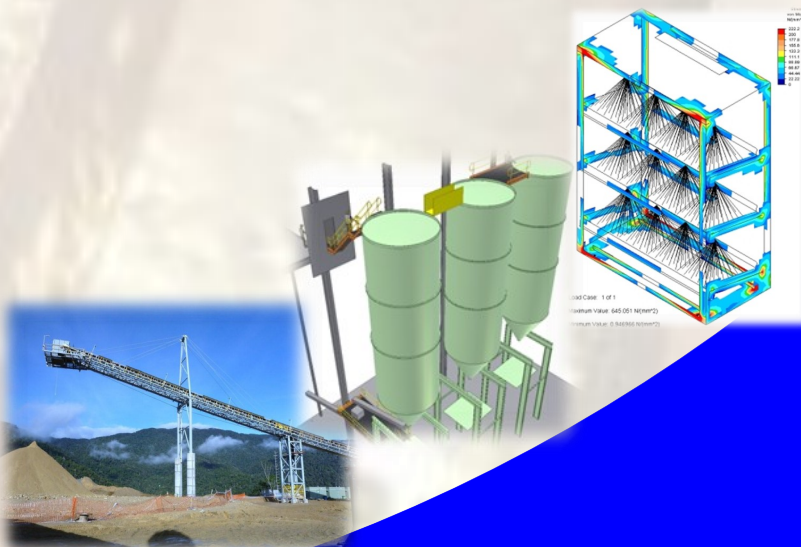
- Bucket elevator
- Hydraulic sleeper lifting device
- Explosion proof mixer seal design
- Garbage bin lifter
- Material transfer cars
- Mechanised handrails
- Paddle mixer
- Pallet turn table
- Mobile pineapple planting machine
- Rise & fall platform
- Robot gripper
- Scissor lift
- Screw and hydraulic cylinder compactors
- Vacuum tanker body
- Workshop jigs and fixtures
- Coil tilters
- Oil-water separator tank and platform
- Specialized door opening mechanisms
- Vehicle top mobile access system
- Y mixer

Beach Wagner Designs

Our history in the design of items to meet these needs is long and has included products as small as a mandrel for automatic polishing of door knobs, to a self-propelled pineapple planting machine, to a pastry patterning and combining system to machines for pre-stressing of 90 m long concrete bridge beams with forces up to 15,000 kN. Many and varied devices and comprised of many and varied components.

Our clients have learnt to expect very little physical prototyping and short commissioning times, due to our capabilities and the employment of extensive 3D simulation and numerical analysis of designed equipment.

Please view the attached samples of machines we have designed and contact us for a proposal to provide your particular machine requirement.



Beach Wagner

Level 8 / 149 Wickham Tce
Spring Hill, Qld 4000

Phone: (07) 3831 6106

Fax: (07) 3319 8937

Email: consult@beachwagner.com.au

Web: www.beachwagner.com.au