

MEAT INDUSTRY

Beach Wagner

Engineering Consultants

Beach Wagner qualified engineers design specialised meat industry equipment and materials handling systems.

Our experience spans a broad spectrum from slaughter floor equipment to frozen carton conveying systems (see overleaf).

Beach Wagner has developed a proven track record in the design of equipment upgrades and modifications in the sometimes confined space of existing installations.

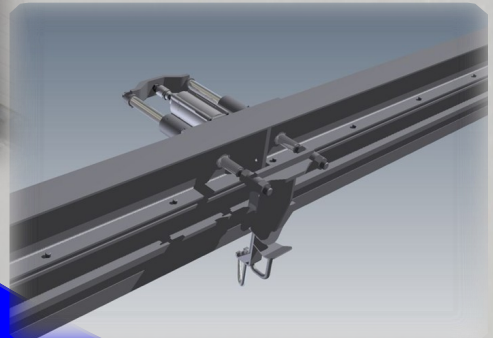
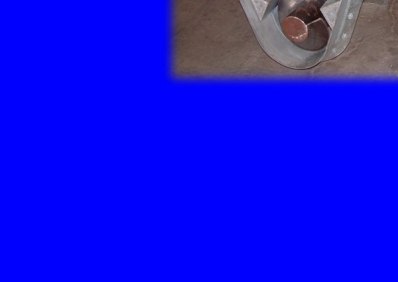
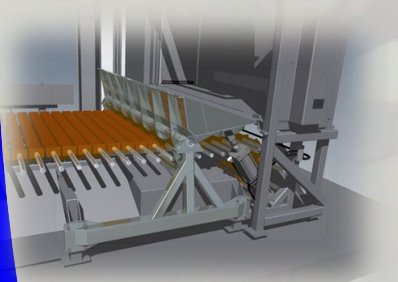
All **Beach Wagner** designs are professionally engineered and digitally prototyped through our 3-D design and analysis procedure, eliminating guesswork on site and ensuring installation in minimum down time and trouble free operation.

For operations troubled by frequent mechanical failures, **Beach Wagner** offers a service whereby a qualified mechanical engineer will assess all components, conduct failure analysis and provide a report, advising recommended measures and maintenance procedures.

A similar service is available for analysis of high product wastage areas within a production process.

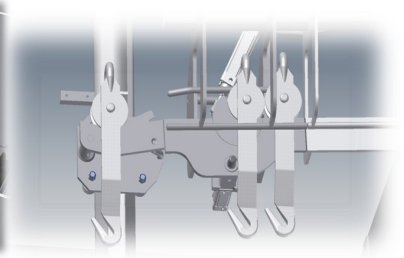
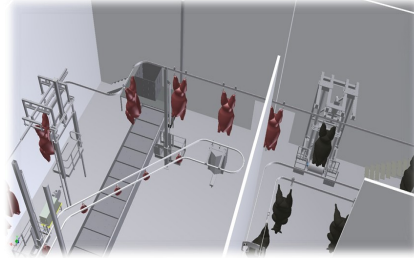
Our broad range of experience in the meat and other food industries enables **Beach Wagner** to assist, by producing concept designs and layouts for AQIS inspections, client audits, R&D and plant extensions and improvements.

Investing in the services Beach Wagner offers has a proven record of short paybacks as noticeable savings are due to trouble free installations, optimised operation and coordinated and planned maintenance.



Engineering Your Materials Handling Solutions

MEAT INDUSTRY



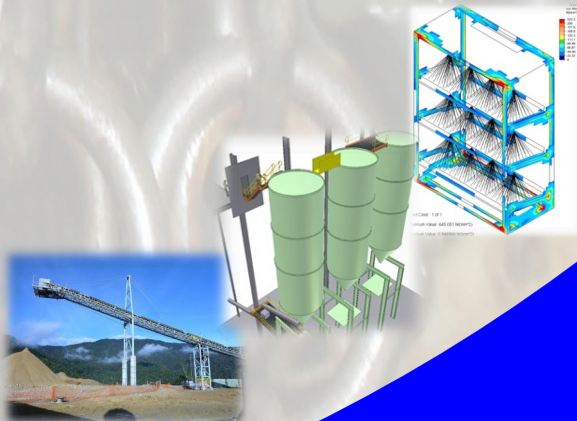
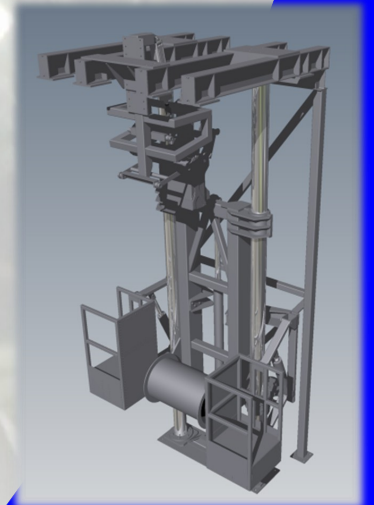
Beach Wagner Designs for the Meat Industry

- General Plant Layouts
- Slaughter Floor Layouts
- Boning Room Layouts
- Knocking Boxes
- Bleed Conveyors and Cradles
- Hook Lowerators
- Bleed Elevators
- Dressing Chain layouts and modifications
- Heavy Duty Hide Pullers
- Evisceration Hoists
- Splitting Saw Stands
- Rise & Fall Platforms
- Head Chains
- Offal Room Layouts
- Conveyor Systems
- Packing Tables
- Shrink Tunnels
- General Lifting Devices
- Carton Handling Systems
- Pallet Handling Systems
- Loading Docks
- Bin Lifters

Beach Wagner Designs

Our design objectives of simplicity, safety, economy of manufacture, ease of installation, and efficiency of cleaning and maintenance will ensure a successful and profitable operation at your site.

Lift your productivity with Beach Wagner. We are ready to professionally engineer or certify equipment.



Beach Wagner

Level 8 / 149 Wickham Tce
Spring Hill, Qld 4000

Phone: (07) 3831 6106

Fax: (07) 3319 8937

Email: consult@beachwagner.com.au

Web: www.beachwagner.com.au